

CHECK VALVES



1 TUBE END FITTINGS

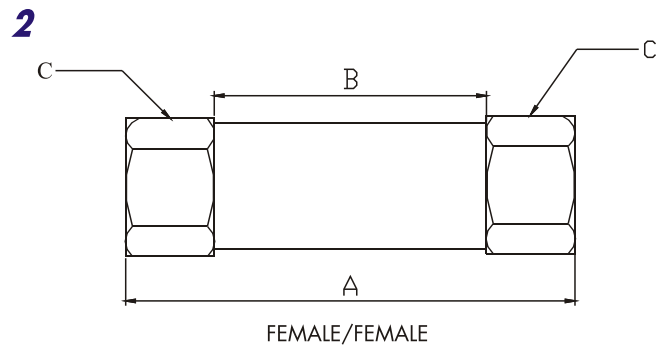
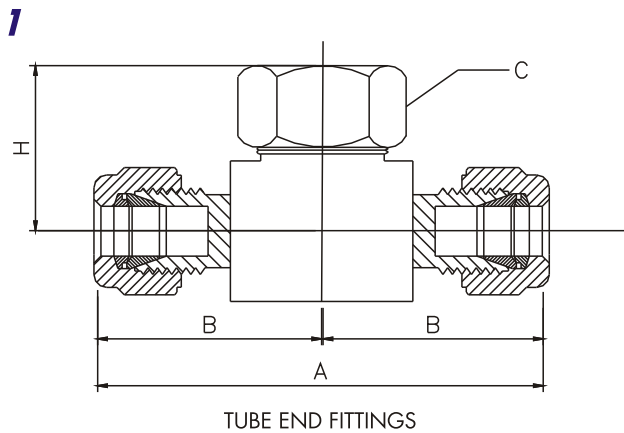


2 FEMALE/FEMALE

MIC Check valves are widely used in all types of gas or liquid service where unidirectional flow is required.

DESIGN FEATURES

1. Pressure up to 3000psi.
2. Temperatures up to 191°C with Viton seal.
3. Variety of end connections.
4. Smooth flow path minimizes pressure drop.
5. Back stopped poppet prevents over stressing of spring.
6. Full material traceability.
7. 100% tested for crack and reseal performance.



TUBE END FITTINGS

MIC NUMBER	CONNECTION SIZE INLET/OUTLET	DIMENSIONS			
		A	B	C	H
11CVTE2F2F	1/8 Female NPT	2.09	1.05	7/8"	1.09
21CVTE4F4F	1/4 Female NPT	1.03	2.06		
21CVTE4T4T	1/4 Tube	2.39	1.2	1-1/4	1.35
2CVTE6T6T	6mm Tube	2.39	1.2		
31CVTE6T6T	3/8 Tube	2.83	1.42	1-1/2	1.81
31CVTE6F6F	3/8 Female NPT	3.13	1.56		
41CVTE8F8F	1/2 Female NPT	3.93	1.96	1-1/2	1.81
41CVTE8T8T	1/2 Tube				
51CVTE12T12T	3/4 Tube				

FEMALE/FEMALE

MIC NUMBER	CONNECTION SIZE		DIMENSIONS		
	INLET	OULET	A	B	C Hex
11CVFF2F2F	1/8 Female NPT	1/8 Female NPT	1.89	0.96	7/16"
21CVFF4F4F	1/4 Female NPT	1/4 Female NPT	2.09	0.97	9/16"
31CVFF6F6F	3/8 Female NPT	3/8 Female NPT	2.98	1.58	11/16"
41CVFF8F8F	1/2 Female NPT	1/2 Female NPT	3.58	1.82	7/8"
51CVFF12F12F	3/4 Female NPT	3/4 Female NPT	4.09	2.1	1-1/8"
61CVFF16F16F	1 Female NPT	1 Female NPT	4.84	2.6	1-1/2"

All dimensions are in inches (except where mm is mentioned) for reference purpose only & subject to change.

MATERIALS

USE: ■ SS FOR STAINLESS STEEL ■ B FOR BRASS ■ CS FOR CARBON STEEL
 ■ M FOR MONEL ■ HS FOR HESTALLOY