

BALL VALVES



1 STANDARD



2 HIGH PRESSURE 2, 3, 5 WAY



3 THREE PIECE BOLTED

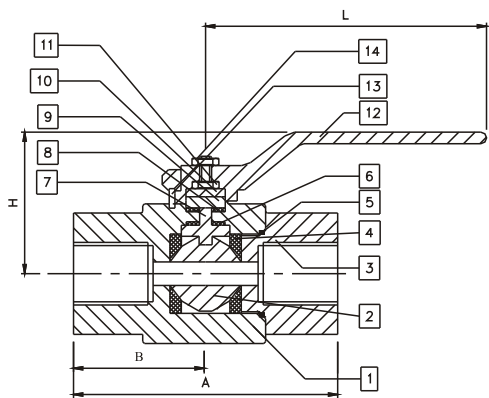
MIC Ball valves are widely used in All types of Instruments, Control panels and pilot plants, Refineries, Process plants, Laboratories and Power Plants, Hydraulic and Pneumatic piping, The field of Chromatography, Steam generation and food processing, High-pressure Hydraulic systems and Equipments. Many other areas of instrumentation and research.

DESIGN FEATURES

1. Pressure up to 5000psi (345bar).
 2. Temperature from 65°F (19.5 C) to 450°F (232 C).
 3. Free floating ball allows pressure actuation in closed position.
 4. Rugged construction for long life.
 5. Quick 1/4 turn actuation.
 6. Highest level of leak free integrity.
 7. Full material traceability.
 8. Choice of different handles.
 9. Available with choice of Pneumatic and electric actuators.
-

BALL VALVES

1



STANDARD

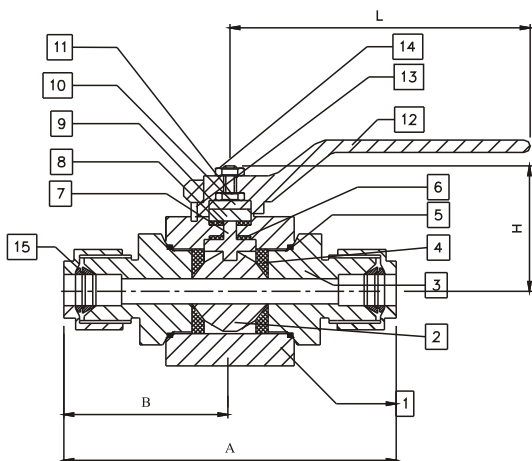
STANDARD BALL VALVE

NO.	DESCRIPTION	QTY	MATERIAL OF CONSTRUCTION	
			STAINLESS STEEL	CARBON STEEL
1	Body	1	SS	CS
2	Ball	1	SS	SS
3	Side Piece	1	SS	CS
4	Seat	2	PTFE/DELTRIN	PTFE/DELTRIN
5	Gasket/O-Ring	1	PTFE/VITON A	PTFE/VITON A
6	Stem packing	2	PTFE/DELTRIN	PTFE/DELTRIN
7	Stem	1	SS	SS
8	Gland Packing	1	PTFE/DELTRIN	PTFE/DELTRIN
9	Gland	1	SS	SS
10	Spring Washer	1	SS	CS
11	Gland Nut	1	SS	CS
12	Handle	1	SS	CS
13	Lock Pin	1	SS	CS
14	Handle Nut	1	SS	CS

STANDARD BALL VALVE

MIC NUMBER	ORIFICE		CONNECTION SIZE INLET/OUTLET	DIMENSIONS			
	in	mm		A	B	HOPEN L	
1IBVST8TT8T	0.411	10.4	1/2 Tube	3.94	1.97	2.34	4.38
1BVST12T12T	0.411	10.4	12 MM Tube	3.94	1.97		
2IBVST8F8F	0.516	13.1	1/2 Female NPT	3.12	1.56	4.24	2.12
2IBVST12F12F	0.516	13.1	3/4 Tube				
3IBVST12F12F	0.875	22.2	3/4 Female NPT				
3BVST16F16F	0.875	22.2	1 Female NPT				
3IBVST16T16T	0.875	22.2	1 Tube				

2



HIGH PRESSURE

HIGH PRESSURE BALL VALVE

NO.	DESCRIPTION	QTY	MATERIAL OF CONSTRUCTION	
			STAINLESS STEEL	CARBON STEEL
1	Body	1	SS	CS
2	Ball	1	SS	SS
3	Side Piece	2	SS	CS
4	Seat	2	PTFE/DELTRIN	PTFE/DELTRIN
5	Gasket/O-Ring	2	PTFE/VITON A	PTFE/VITON A
6	Stem packing	2	PTFE/DELTRIN	PTFE/DELTRIN
7	Stem	1	SS	SS
8	Gland Packing	1	PTFE/DELTRIN	PTFE/DELTRIN
9	Gland	1	SS	SS
10	Spring Washer	1	SS	CS
11	Gland Nut	1	SS	CS
12	Handle	1	SS	CS
13	Lock Pin	1	SS	CS
14	Handle Nut	1	SS	CS
15	End Coupling	2	SS	CS

MATERIALS