

# BALL VALVES



**1** STANDARD



**2** HIGH PRESSURE 2, 3, 5 WAY



**3** THREE PIECE BOLTED

---

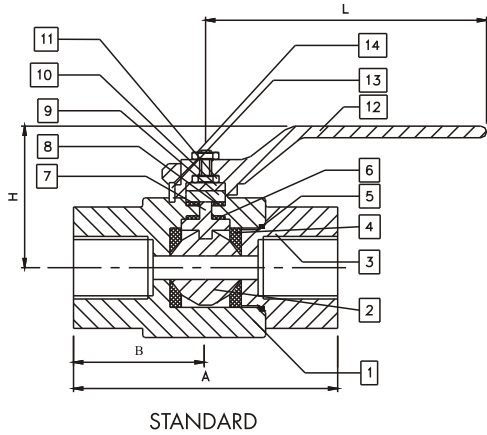
**MIC** Ball valves are widely used in  
All types of Instruments, Control panels and pilot plants,  
Refineries, Process plants, Laboratories and Power Plants,  
Hydraulic and Pneumatic piping,  
The field of Chromatography, Steam generation and food processing,  
High-pressure Hydraulic systems and Equipments.  
Many other areas of instrumentation and research.

## **DESIGN FEATURES**

1. Pressure up to 5000psi (345bar).
  2. Temperature from 65°F (19.5 C) to 450°F (232 C).
  3. Free floating ball allows pressure actuation in closed position.
  4. Rugged construction for long life.
  5. Quick 1/4 turn actuation.
  6. Highest level of leak free integrity.
  7. Full material traceability.
  8. Choice of different handles.
  9. Available with choice of Pneumatic and electric actuators.
-

# BALL VALVES

1



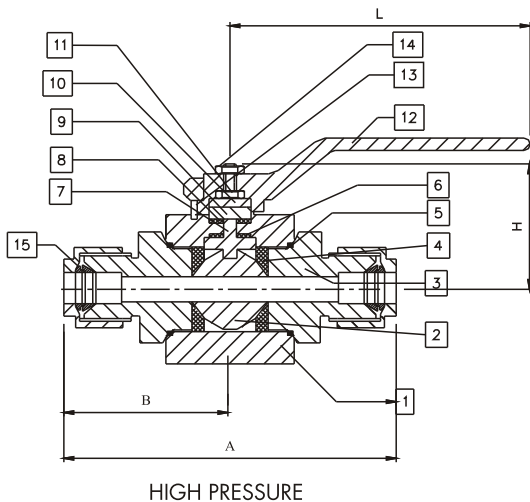
## STANDARD BALL VALVE

NO.	DESCRIPTION	QTY	MATERIAL OF CONSTRUCTION	
			STAINLESS STEEL	CARBON STEEL
1	Body	1	SS	CS
2	Ball	1	SS	SS
3	Side Piece	1	SS	CS
4	Seat	2	PTFE/DELTRIN	PTFE/DELTRIN
5	Gasket/O-Ring	1	PTFE/VITON A	PTFE/VITON A
6	Stem packing	2	PTFE/DELTRIN	PTFE/DELTRIN
7	Stem	1	SS	SS
8	Gland Packing	1	PTFE/DELTRIN	PTFE/DELTRIN
9	Gland	1	SS	SS
10	Spring Washer	1	SS	CS
11	Gland Nut	1	SS	CS
12	Handle	1	SS	CS
13	Lock Pin	1	SS	CS
14	Handle Nut	1	SS	CS

## STANDARD BALL VALVE

MIC NUMBER	ORIFICE		CONNECTION SIZE INLET/OUTLET	DIMENSIONS			
	in	mm		A	B	HOPEN L	
1IBVST8TT8T	0.411	10.4	1/2 Tube	3.94	1.97	2.34	4.38
1BVST12T12T	0.411	10.4	12 MM Tube	3.94	1.97		
2IBVST8F8F	0.516	13.1	1/2 Female NPT	3.12	1.56		
2IBVST12F12F	0.516	13.1	3/4 Tube	4.24	2.12		
3IBVST12F12F	0.875	22.2	3/4 Female NPT				
3BVST16F16F	0.875	22.2	1 Female NPT				
3IBVST16T16T	0.875	22.2	1 Tube				

2



## HIGH PRESSURE BALL VALVE

NO.	DESCRIPTION	QTY	MATERIAL OF CONSTRUCTION	
			STAINLESS STEEL	CARBON STEEL
1	Body	1	SS	CS
2	Ball	1	SS	SS
3	Side Piece	2	SS	CS
4	Seat	2	PTFE/DELTRIN	PTFE/DELTRIN
5	Gasket/O-Ring	2	PTFE/VITON A	PTFE/VITON A
6	Stem packing	2	PTFE/DELTRIN	PTFE/DELTRIN
7	Stem	1	SS	SS
8	Gland Packing	1	PTFE/DELTRIN	PTFE/DELTRIN
9	Gland	1	SS	SS
10	Spring Washer	1	SS	CS
11	Gland Nut	1	SS	CS
12	Handle	1	SS	CS
13	Lock Pin	1	SS	CS
14	Handle Nut	1	SS	CS
15	End Coupling	2	SS	CS

All dimensions are in inches (except where mm is mentioned) for reference purpose only & subject to change.

### MATERIALS

USE: ■ SS FOR STAINLESS STEEL ■ B FOR BRASS ■ CS FOR CARBON STEEL  
■ M FOR MONEL ■ HS FOR HESTALLOY