

# CHECK VALVES



**1** TUBE END FITTINGS

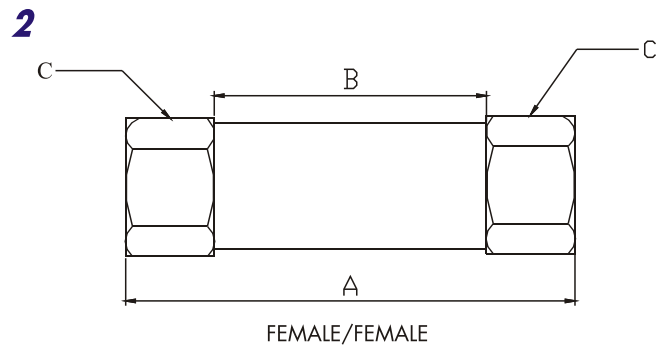
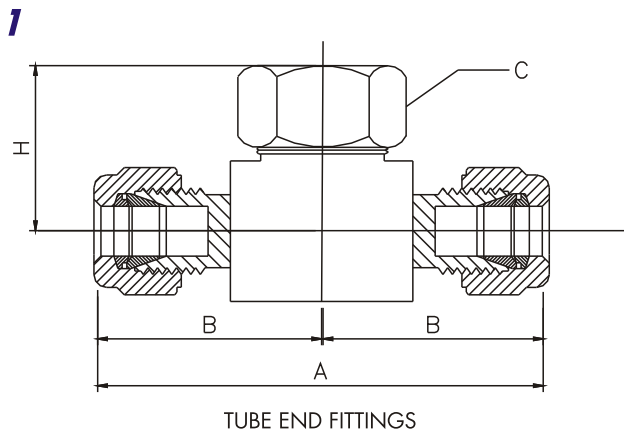


**2** FEMALE/FEMALE

**MIC** Check valves are widely used in all types of gas or liquid service where unidirectional flow is required.

## DESIGN FEATURES

1. Pressure up to 3000psi.
2. Temperatures up to 191°C with Viton seal.
3. Variety of end connections.
4. Smooth flow path minimizes pressure drop.
5. Back stopped poppet prevents over stressing of spring.
6. Full material traceability.
7. 100% tested for crack and reseal performance.



## TUBE END FITTINGS

MIC NUMBER	CONNECTION SIZE INLET/OUTLET	DIMENSIONS			
		A	B	C	H
11CVTE2F2F	1/8 Female NPT	2.09	1.05	7/8"	1.09
21CVTE4F4F	1/4 Female NPT	1.03	2.06		
21CVTE4T4T	1/4 Tube	2.39	1.2	1-1/4	1.35
2CVTE6T6T	6mm Tube	2.39	1.2		
31CVTE6T6T	3/8 Tube	2.83	1.42	1-1/2	1.81
31CVTE6F6F	3/8 Female NPT	3.13	1.56		
41CVTE8F8F	1/2 Female NPT	3.93	1.96	1-1/2	1.81
41CVTE8T8T	1/2 Tube				
51CVTE12T12T	3/4 Tube				

## FEMALE/FEMALE

MIC NUMBER	CONNECTION SIZE		DIMENSIONS		
	INLET	OULET	A	B	C Hex
11CVFF2F2F	1/8 Female NPT	1/8 Female NPT	1.89	0.96	7/16"
21CVFF4F4F	1/4 Female NPT	1/4 Female NPT	2.09	0.97	9/16"
31CVFF6F6F	3/8 Female NPT	3/8 Female NPT	2.98	1.58	11/16"
41CVFF8F8F	1/2 Female NPT	1/2 Female NPT	3.58	1.82	7/8"
51CVFF12F12F	3/4 Female NPT	3/4 Female NPT	4.09	2.1	1-1/8"
61CVFF16F16F	1 Female NPT	1 Female NPT	4.84	2.6	1-1/2"

All dimensions are in inches (except where mm is mentioned) for reference purpose only & subject to change.

## MATERIALS

USE: ■ SS FOR STAINLESS STEEL ■ B FOR BRASS ■ CS FOR CARBON STEEL  
 ■ M FOR MONEL ■ HS FOR HESTALLOY